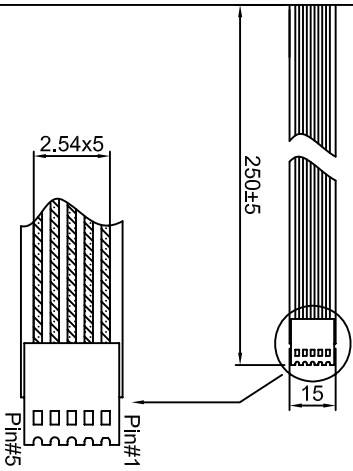


NOTE:
ALL DIMENSIONS ARE IN MILLIMETERS

P/N	Film Type	Glass Thickness	Finished Part Thickness
5W1900G	Clear	2.8	3.2±0.2
5W1900N	Anti-Glare		

Pin#	Assignment
1	H
2	X
3	S
4	Y
5	L



益震科技股份有限公司	
Onetouch Technologies Co., Ltd.	
DATE:	2006.08.02
P/N:	5W1900-G
MODEL:	5W1900-N
DRAWER:	WEI APPROVAL: DAVID