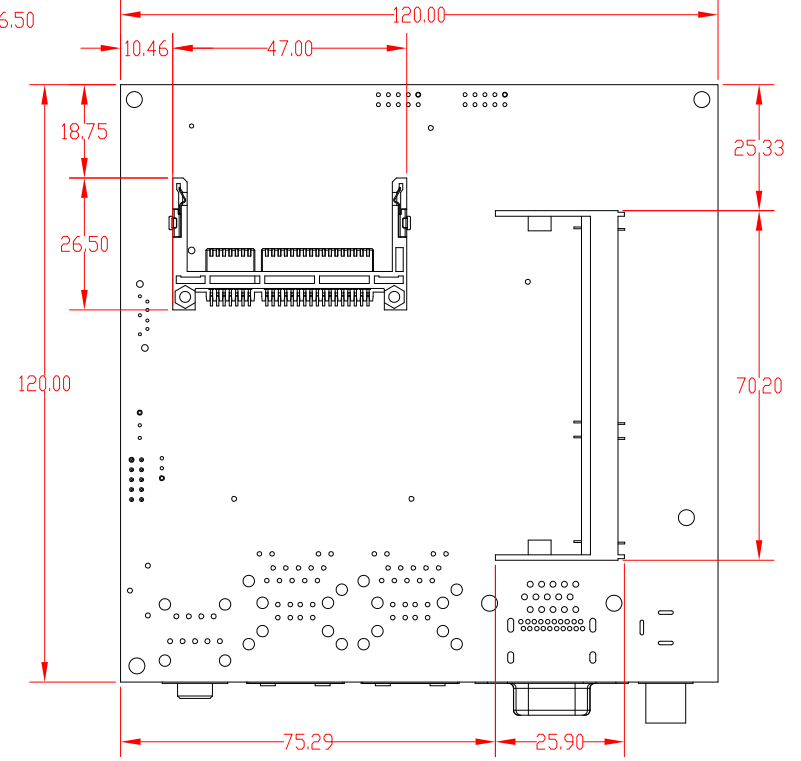
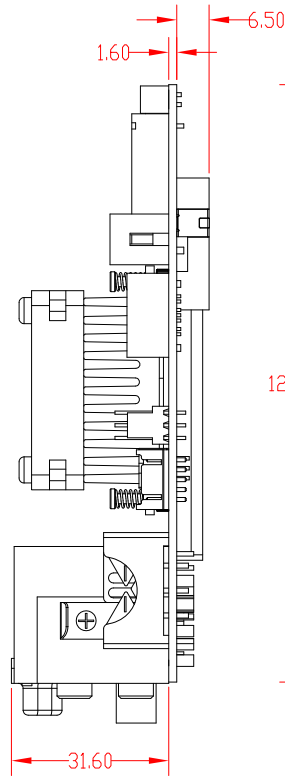
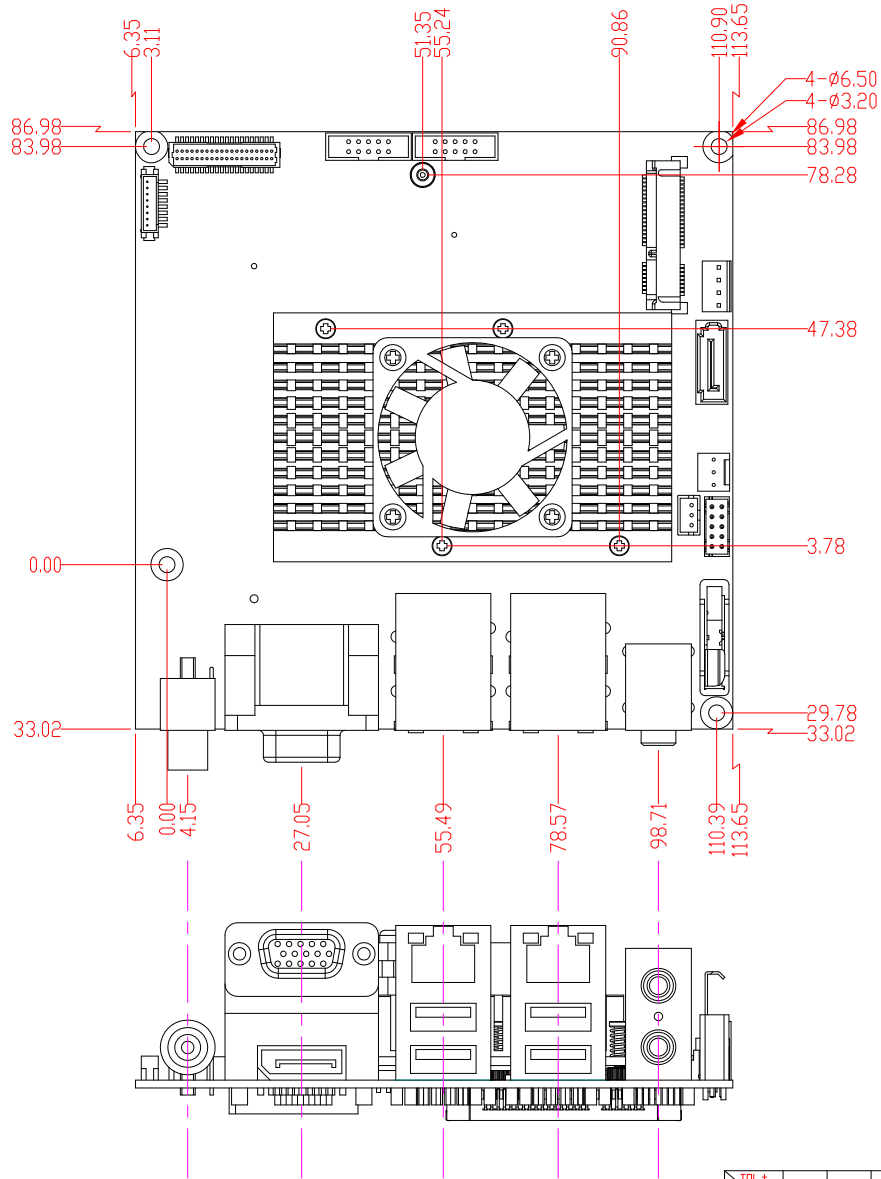


Component Side

Solder Side



RevNo	Revision note	Date	Signature	Checked

Revisions

TOL:±										
RANGE	N1	N2	M1	M2	S1	S2	CN	Ø	ANG.	
0-6	0.20	0.25	0.15	0.20	0.05	0.10	0.50			
6-30	0.20	0.25	0.15	0.25	0.10	0.15	1.00			
30-120	0.25	0.35	0.20	0.30	0.20	0.40	2.00			
120-300	0.30	0.35	0.25	0.40	0.40	0.80	3.00	0.05	0.5	
300-600	0.40	0.50	0.30	0.50	0.50	1.00	3.00			
600-1200	0.50	0.60	0.50	0.60	0.60	1.20	4.00			

COMMENTS:

PROPRIETARY AND CONFIDENTIAL
 THE INFORMATION CONTAINED IN THIS DRAWING IS THE SOLE PROPERTY OF Axiomtek. ANY REPRODUCTION IN PART OR AS A WHOLE WITHOUT THE WRITTEN PERMISSION OF Axiomtek IS PROHIBITED.

Part Name: NAND100 Dimension
 File Name: NAND100

Part IV	Name	Date
Part III	Designed by	Aesop 20120113
Part II	Checked by	
Part I	Approved by	
NEXT ASSY USED ON	Material	Finished
APPLICATION	Rev. A0	Scale 1/1
	Sheet 1	Units mm

