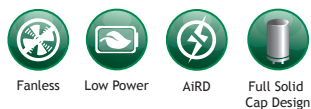
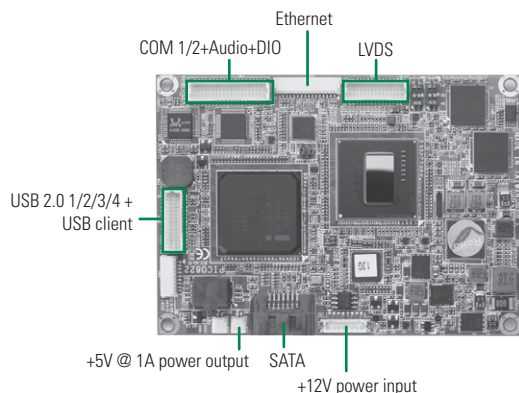


PICO822

Intel® Atom™ E620T/ E680T Pico-ITX SBC with LVDS, SATA, LAN and SSD



System

CPU	Intel® Atom™ processor E620T 600 MHz/ E680T 1.6 GHz single core onboard
System Memory	1 GB DDR2-800 onboard
Chipset	Intel® EG20T PCH
BIOS	AMI UEFI BIOS
SSD	SATA SSD 8GB/16GB/32GB (optional)
Watchdog Timer	255 levels, 1-255 sec.
Expansion Interface	1 x SDVO, 1 x PCIe x1, 1 x UART, 1 x SMBus, 1 x USB (through expansion connector)
Battery	Lithium 3V/ 225mAh
Power Input	Customed connector via power cable +12V DC-in only
Power Requirements	Intel® Atom™ E620T 600 MHz, 1 GB DDR2 Max. RMS: +12V @ 1.8A Intel® Atom™ E680T 1.6 GHz, 1 GB DDR2 Max. RMS: +12V @ 2.1A
Size	100 x 72 mm
Board Thickness	1.6 mm
Operating Temperature	Refer to ordering information
Relative Humidity	10% ~ 95% relative humidity, non-condensing

I/O

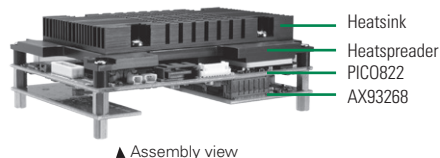
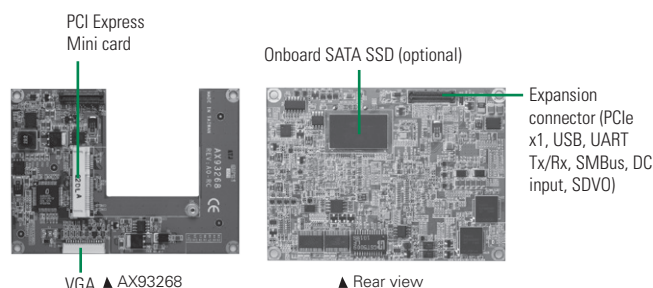
MIO	2 x RS-232
SATA	1 x SATA-300
Hardware Monitoring	Detect CPU/System temperature and voltage
Ethernet	1 port as 10/100/1000Mbps supports Wake-on-LAN RPL/PXE Boot ROM with Realtek RTL8111E
Audio	HD Codec audio as Mic-in/Line-in/Line-out with Realtek ALC886
USB	4 x USB 2.0 1 x client USB 2.0
SMBus	System Management Bus for advanced monitoring/control
Digital I/O	8 channels IN/OUT

Display

Chipset	Intel® GMA 600 graphics core
Memory Size	256 MB
Display Interface	1 x LVDS; 18/24-bit single channel

Features

- Ultra low power Intel® Atom™ E620T/ E680T
- 2 COM and 4 USB 2.0 + 1 client USB 2.0 supported
- LVDS LCD and backlight brightness control
- One 10/100/1000Mbps Ethernet
- Onboard SATA SSD (optional)



Packing List

Standard

Quick installation guide, user's manual/utility CD and accessories

Accessories

Part Number	Description	Qty
594H822700E	Ethernet cable w/ RJ45 L=150 mm	1
594H8223000E	Cable for COM, audio L=300 mm	1
594H8222810E	USB cable w/o USB client L=180 mm	1
594H8220200E	DC-IN power cable L=190 mm	1
594H8220600E	SATA power cable L=150 mm	1
59406308010E	SATA cable	1
5078H822100E	Heatsink	1
5078H822010E	Heatspreader	1

Ordering Information

Standard

Model	Operation Temperature	PCI Express Mini Card	Display Board
PICO822LGA-E620T (P/N: E38H822101)	-20°C ~ +70°C (-4°F ~ +158°F)	N/A	AX93221 24bit LVDS to DVI-D
PICO822LGA-E680T (P/N: E38H822105)	-20°C ~ +70°C (-4°F ~ +158°F)	N/A	AX93221 24bit LVDS to DVI-D
PICO822LGA-E620T w/AX93268 (P/N: E38H822107)	0°C ~ +60°C (32°F ~ 140°F)	1	AX93268 VGA
PICO822LGA-E680T w/AX93268 (P/N: E38H822108)	0°C ~ +60°C (32°F ~ 140°F)	1	AX93268 VGA